

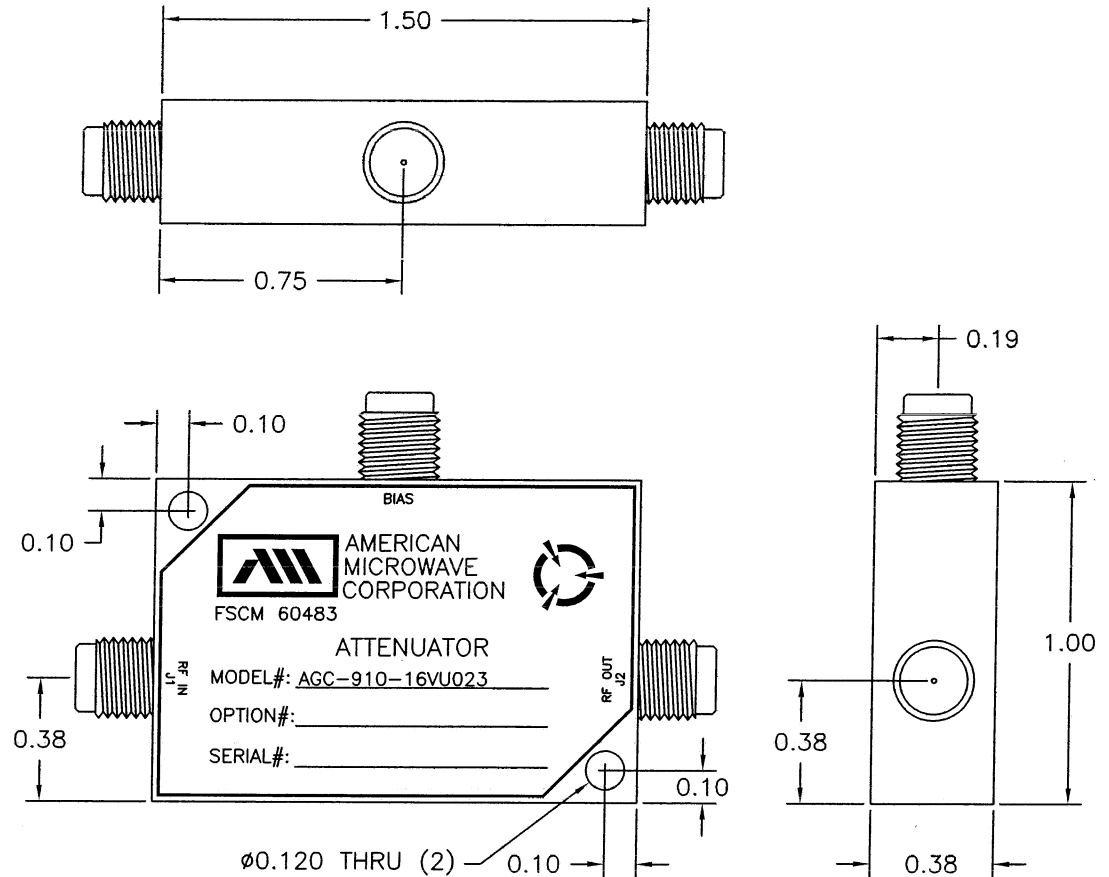
## DESCRIPTION

AMC MODEL AGC-910-16VU023 IS AN ABSORPTIVE CURRENT CONTROLLED ATTENUATOR OPERATING OVER A FREQUENCY RANGE OF 9 TO 10 GHZ WITH A DYNAMIC RANGE OF 15dB MINIMUM.

REVISIONS				
ZONE	REV.	DESCRIPTION	DATE	APPROVED
-	-	ORIGINAL RELEASE JOB# 501008E	3/1/05	

## SPECIFICATIONS

- FREQUENCY RANGE: ..... 9 TO 10 GHz
- INSERTION LOSS: ..... 2.0 dB MAXIMUM
- VSWR: ..... 1.7:1
- RISE TIME: ..... 500 nSec MAXIMUM
- DC CONTROL: ..... 0V LOW LOSS  
+20mA ATTENUATION
- DYNAMIC RANGE: ..... 15 dB MINIMUM
- POWER INPUT: ..... +20 dBm CW
- CONNECTORS:
  - RF: ..... SMA FEMALE
  - CONTROL: ..... SMA FEMALE
- SIZE: ..... 1.50" (L) x 1.00" (W) x 0.38" (H)



## ENVIRONMENTAL RATINGS:

- TEMPERATURE: ..... -55°C TO +85°C (OPERATING)  
-65°C TO +125°C (STORAGE)
- HUMIDITY: ..... MIL-STD-202F, METHOD 103B COND. B
- SHOCK: ..... MIL-STD-202F, METHOD 213B COND. B
- VIBRATION: ..... MIL-STD-202F, METHOD 204D COND. B
- ALTITUDE: ..... MIL-STD-202F, METHOD 105C COND. B
- TEMPERATURE CYCLE: ..... MIL-STD-202F, METHOD 107D COND. A

NOTE: SPECIFICATIONS WILL VARY OVER OPERATING TEMPERATURE  
NOTE: THE ABOVE SPECIFICATIONS ARE SUBJECT TO CHANGE OR REVISION

ALL DIMENSIONS ARE IN INCHES  
TOLERANCES:  
X.XX ±0.020  
X.XXX ±0.010

## AMERICAN MICROWAVE CORPORATION

7311-G GROVE ROAD  
FREDERICK, MARYLAND 21704 USA  
TEL: 301-662-4700 FAX: 301-662-4938  
WEBSITE: [www.americanmicrowavecorp.com](http://www.americanmicrowavecorp.com)  
E-MAIL: [sales@americanmicrowavecorp.com](mailto:sales@americanmicrowavecorp.com)  
ISO 9001:2000 CERTIFIED

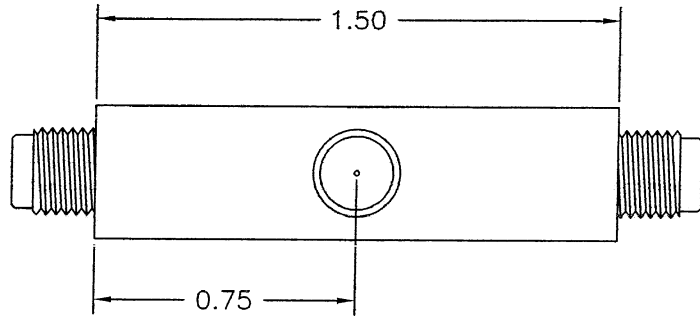


APPROVALS		DATE	TITLE		
DRAWN <i>JCM</i>		2/1/05	PRODUCT FEATURE		
CHECKED <i>LA</i>		3/9/05	AGC-910-16VU023		
ISSUED <i>LC</i>		3/9/05	9-10 GHz CURRENT CONTROLLED ATTENUATOR		
SIZE	FSCM NO.	DWG NO.	REV.		
A	60483	100-7362	-		
SCALE N:S			SHEET 1 OF 3		

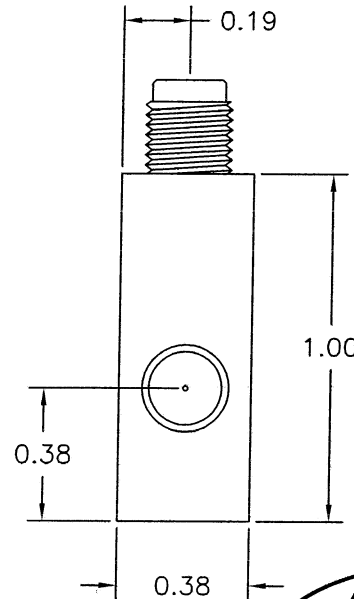
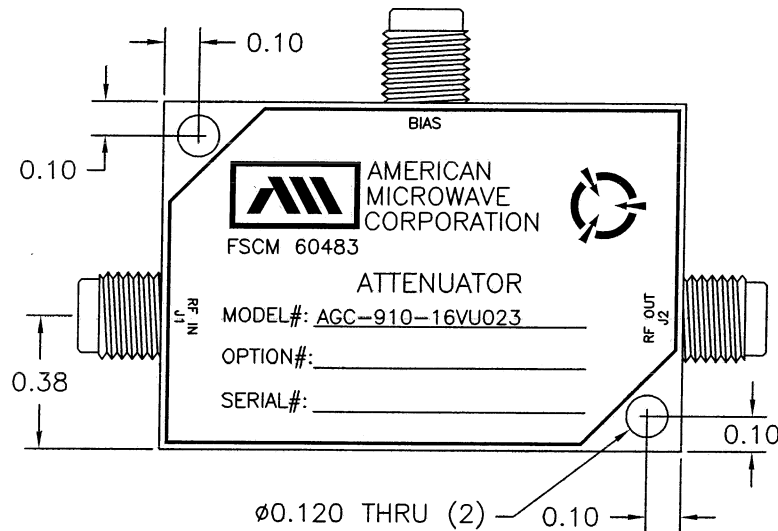
# DESCRIPTION

AMC MODEL AGC-910-16VU023 IS AN ABSORPTIVE CURRENT CONTROLLED ATTENUATOR OPERATING OVER A FREQUENCY RANGE OF 9 TO 10 GHZ WITH A DYNAMIC RANGE OF 15dB MINIMUM.

REVISIONS				
ZONE	REV.	DESCRIPTION	DATE	APPROVED
-		ORIGINAL RELEASE JOB# 501008E	3/1/05	



# MECHANICAL OUTLINE



# AMERICAN MICROWAVE CORPORATION

7311-G GROVE ROAD  
 FREDERICK, MARYLAND 21704 USA  
 TEL: 301-662-4700 FAX: 301-662-4938  
 WEBSITE: [www.americanmicrowavecorp.com](http://www.americanmicrowavecorp.com)  
 E-MAIL: [sales@americanmicrowavecorp.com](mailto:sales@americanmicrowavecorp.com)  
 ISO 9001:2000 CERTIFIED



ALL DIMENSIONS ARE IN INCHES  
 TOLERANCES:  
 X.XX ±0.020  
 X.XXX ±0.010

APPROVALS		DATE	TITLE			REV.
DRAWN	<i>FKM</i>	2/1/05	MECHANICAL OUTLINE			
CHECKED	<i>LA</i>	3/9/05	AGC-910-16VU023			
ISSUED	<i>LC</i>	3/9/05	9-10 GHz CURRENT CONTROLLED ATTENUATOR			
			SIZE	FSCM NO.	DWG NO.	
			A	60483	100-7362	-
			SCALE	N:S	SHEET	2 OF 3